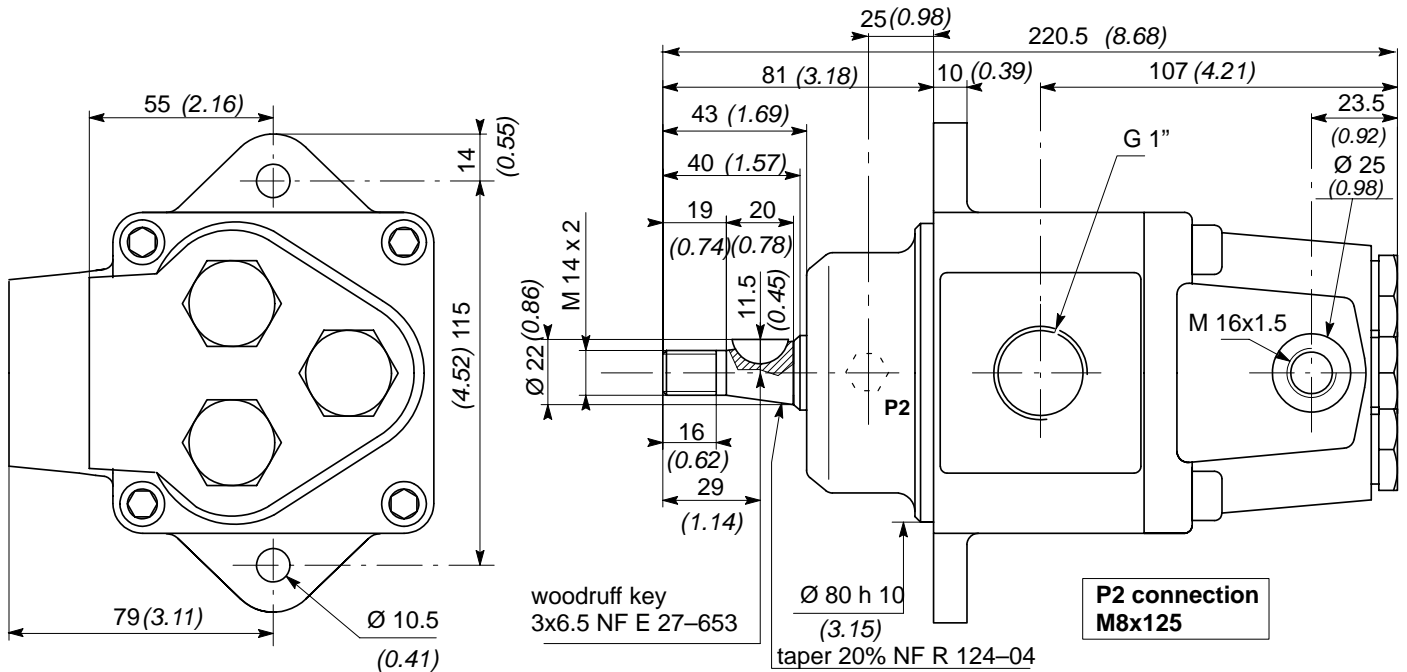


# INDUSTRIAL FIXED DISPLACEMENT PUMP

# B 16 R

**16 cm<sup>3</sup>/rev (0.98 cu.in.)**  
**300 bar (4350 PSI)**  
**2600 rpm**



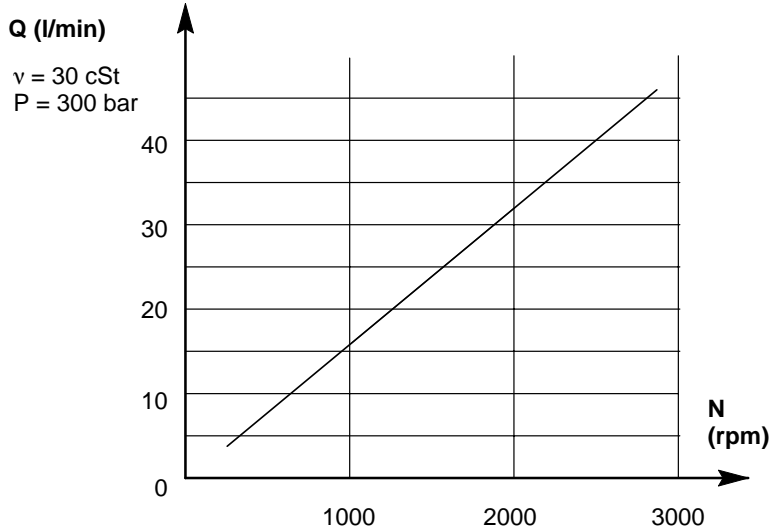
Dimensions are written in millimeters and (inches)

## TECHNICAL CHARACTERISTICS

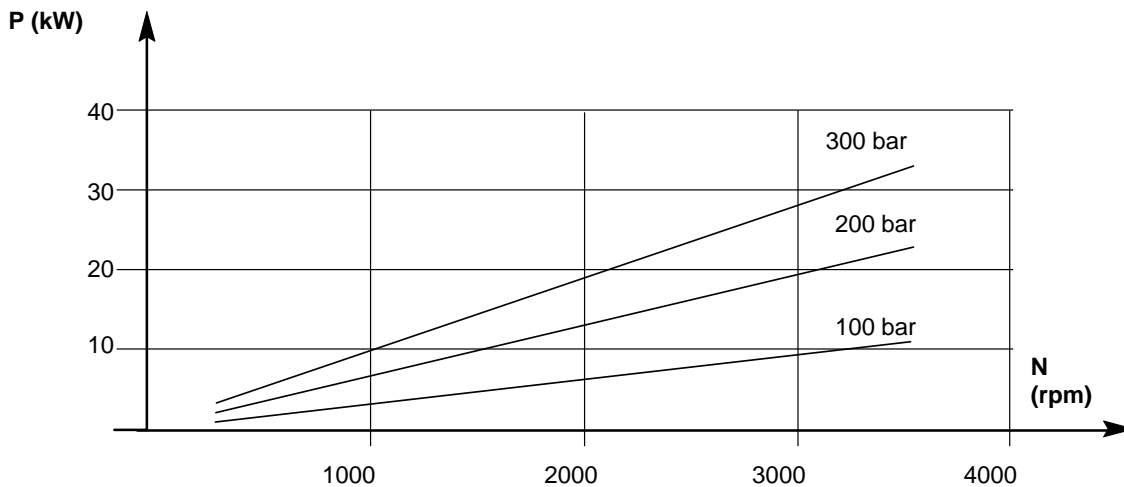
Displacement	:	16 cm <sup>3</sup> /rev (0.98 cu.in)
Max. continuous pressure	:	300 bar (4350 PSI)
Max. peak pressure	:	325 bar (4710 PSI)
Self-priming speed	:	2600 rpm
Peak speed	:	2800 rpm
Max. temperature	:	100–120° C (212–248° F)
Inlet Ø	:	G 1"
Outlet Ø	:	M16x1.5
Weight	:	7.6 kg (16.76 lbs)

## PERFORMANCES

### FLOW CURVE



### POWER CURVE



### CONDITIONS OF USE

See also sheet headed "start-up".

**FLUID :** The viscosity of the fluid at the extreme temperatures must be between 15 cSt (2.3°E) and 1000 cSt (130°E). Optimum flow between 15 cSt (2.3°E) and 200 cSt (26°E).

If fluid viscosity is less than 15 cSt at extreme operating temperature please consult our Technical Department.

The standard version is equipped with AA (self-priming) valves and the P2 air bleed plug (necessary for vertical submerged position).

### CODING :

Clockwise rotation, SH : B 16 R 050120

Anti-clockwise, SIH : B 16 R 050125